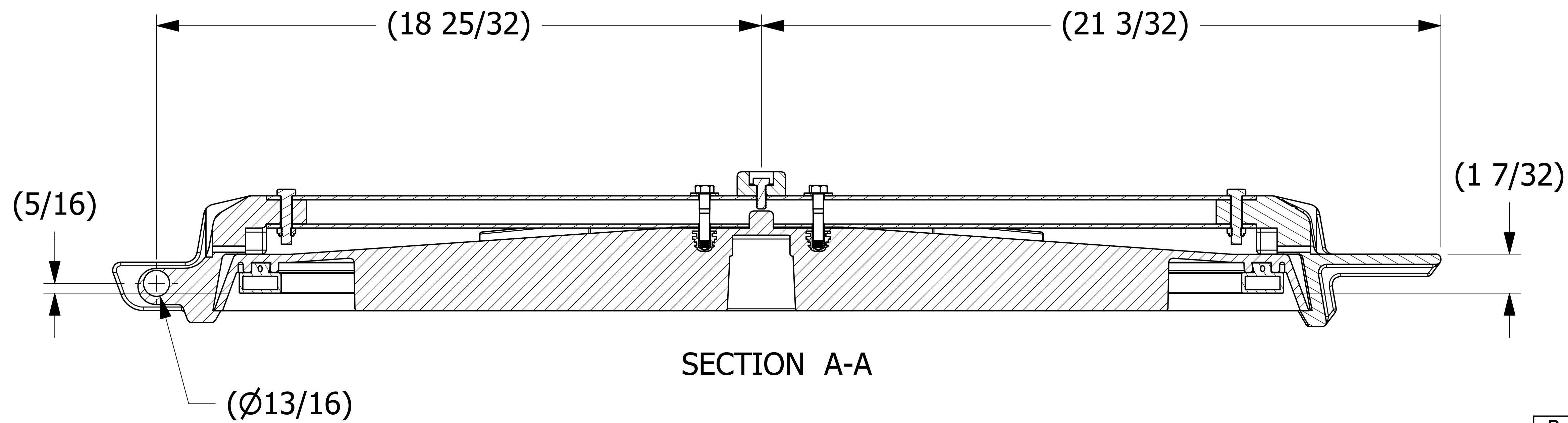
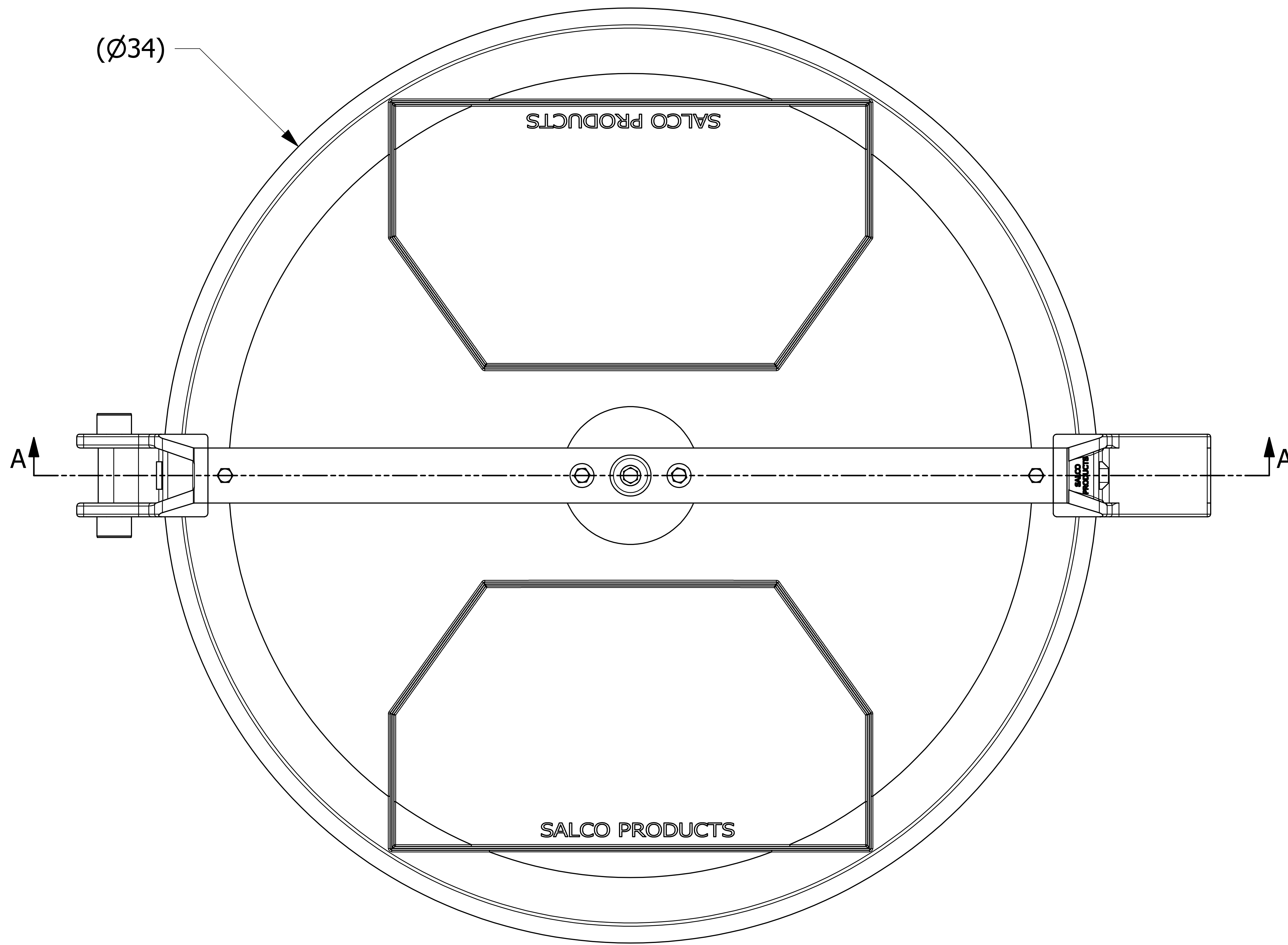


SALES DRAWING

SALES DRAWING



NOTE:  
GLUE GASKET INTO COVER WITH EC2500S OR APPROVED EQUIVALENT.

B	BRG	7-22-09	UPDATED DRAWING WITH NEW PHC3007AS
A	BRG	12-2-08	NEW PART ADDED TO SYSTEM
REV	BY	DATE	DESCRIPTION

UNLESS OTHERWISE SPECIFIED DIMENSIONAL TOLERANCES	DRAWN BY:	BRG
FRACTIONAL: ±1/16	CHECKED BY:	PJG
X.XX: ±.03	PROTOTYPE BY:	BRG
X.XXX: ±.015	PROTOTYPE DATE:	11/28/2007
ANGULAR: ±1°	APPROVED FOR PRODUCTION BY:	PJG
THIRD ANGLE PROJECTION	PRODUCTION DATE:	12/2/2008

<b>SALCO PRODUCTS, INC.</b>		
PART NAME: <b>HATCH COVER 30"</b>		
MATERIAL: <b>HDPE/SS</b>		
PROJECT #:	SHEET #:	SCALE:
<b>060314</b>	<b>1 OF 1</b>	<b>1/2</b>
DRAWING #:	PART #:	
<b>E24462</b>	<b>PHC3007TR</b>	